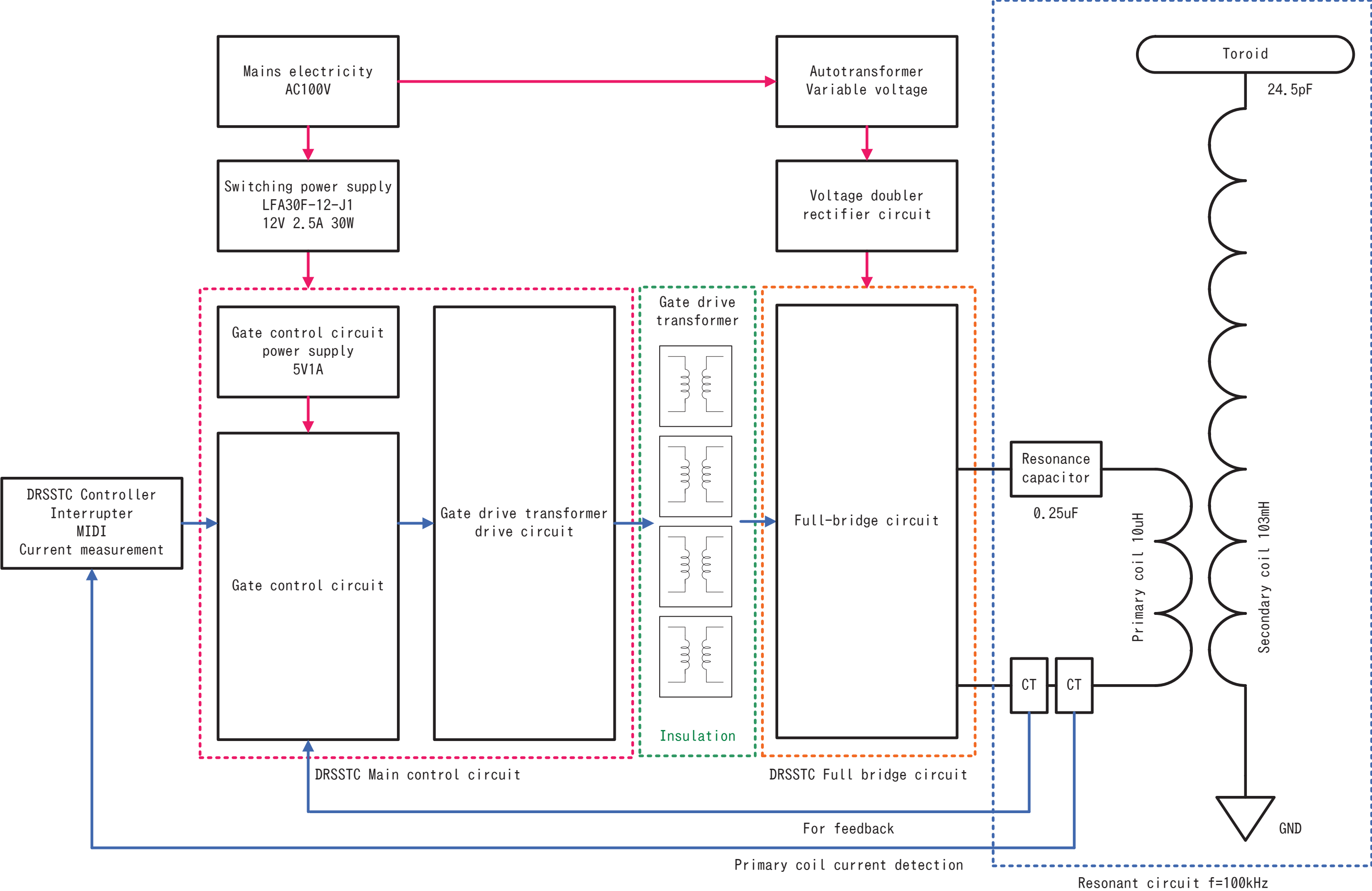
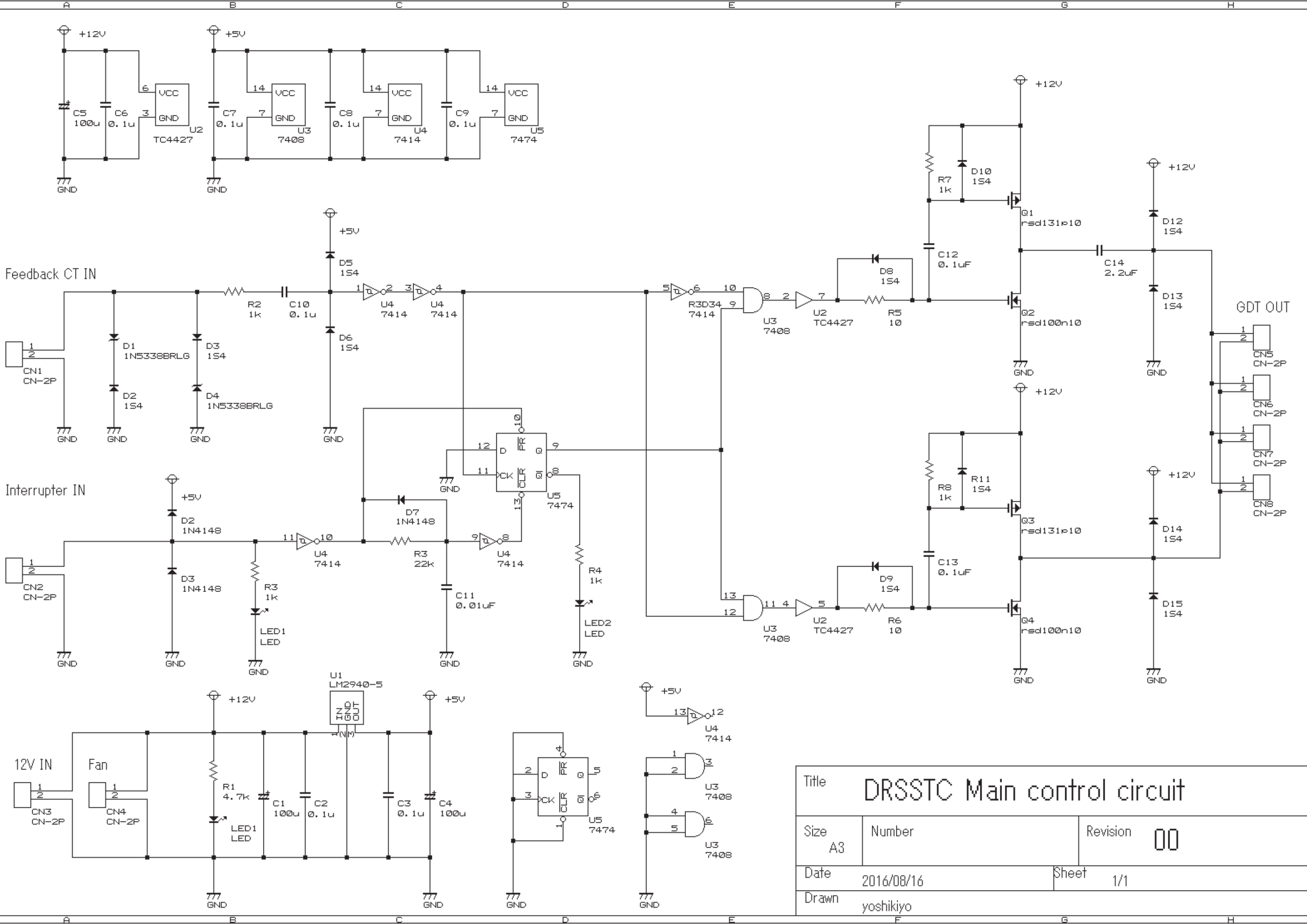
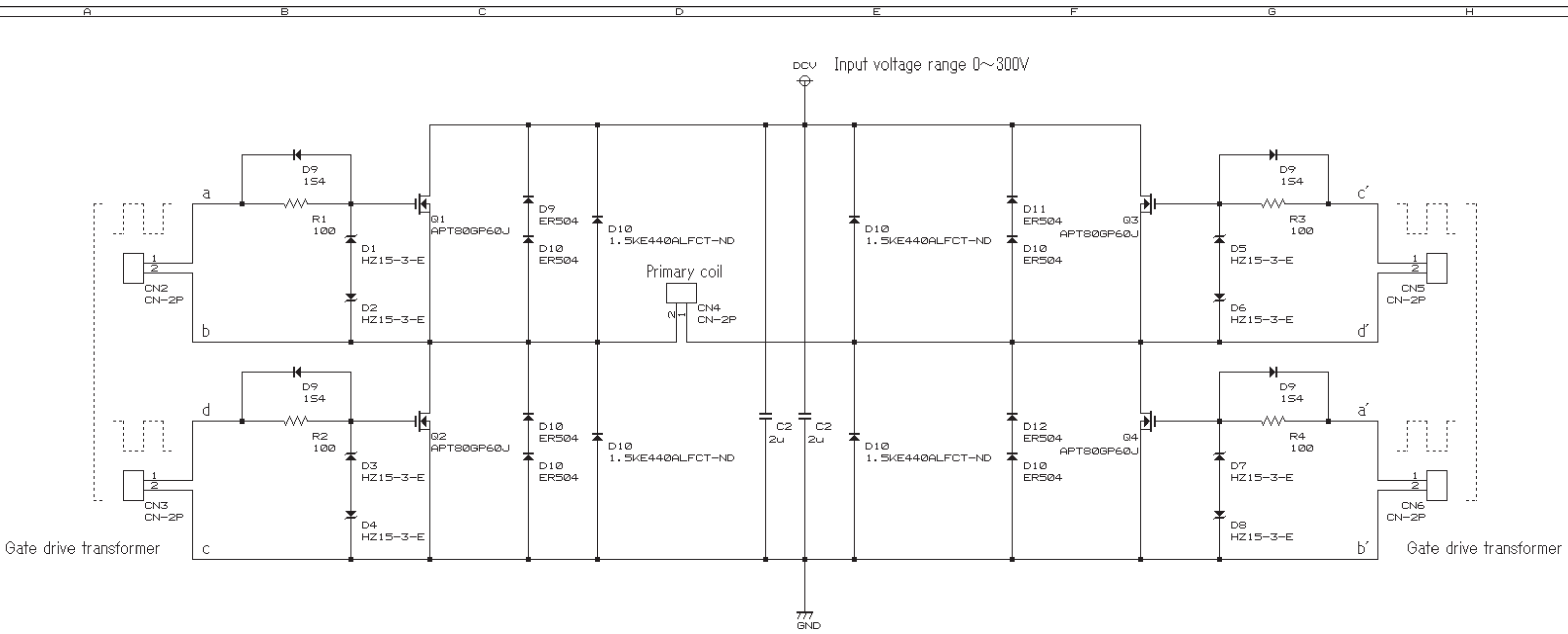


DRSSTC Block diagram



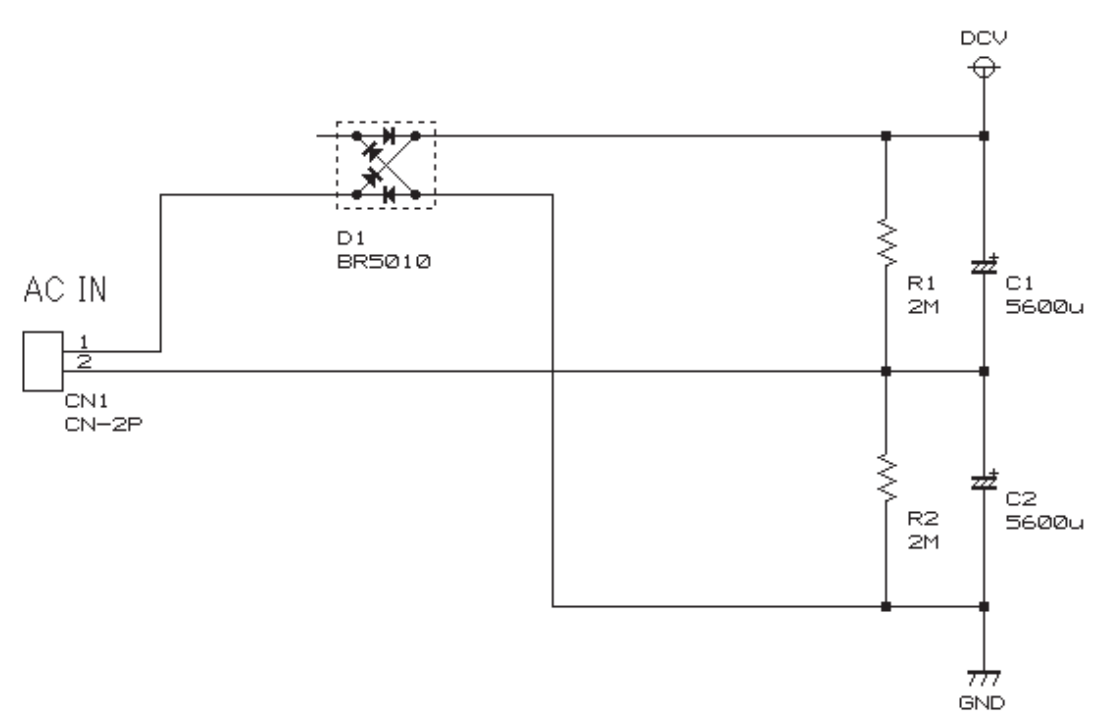


Title			DRSSTC Main control circuit		
Size	Number		Revision		00
A3			Date		2016/08/16
Date			Sheet 1/1		
Drawn			yoshikiyo		



Gate drive transformer

Gate drive transformer



Title			DRSSTC Full bridge circuit		
Size	Number		Revision		00
A3					
Date	2016/08/16		Sheet	1/1	
Drawn	yoshikiyo				